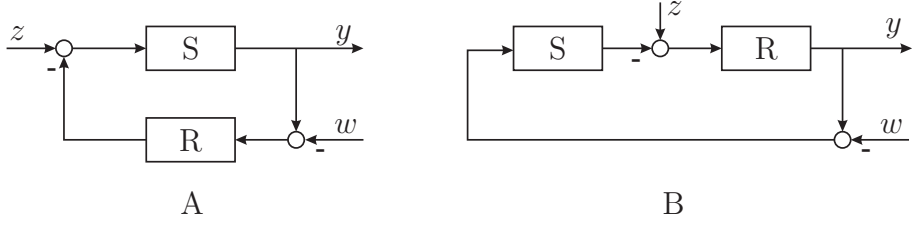


Problem 1 (30 Points)

1a) ($2 \times 5 \times 1$ Point, 10 Points)

Which of the following statements are true and which are false?

No.	Task/Question/Judgment	True	False
A.1)	<p>The systems A and B are identical with respect to their I/O-behavior.</p> 	○	○

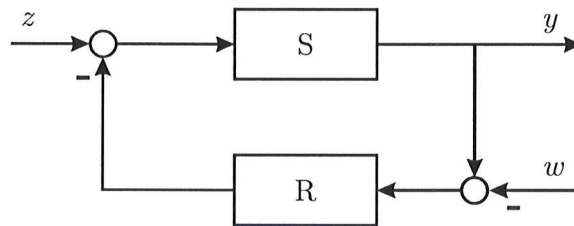
Example to show the new exam format and evaluation scheme.

Mark the correct solution in the following statements.

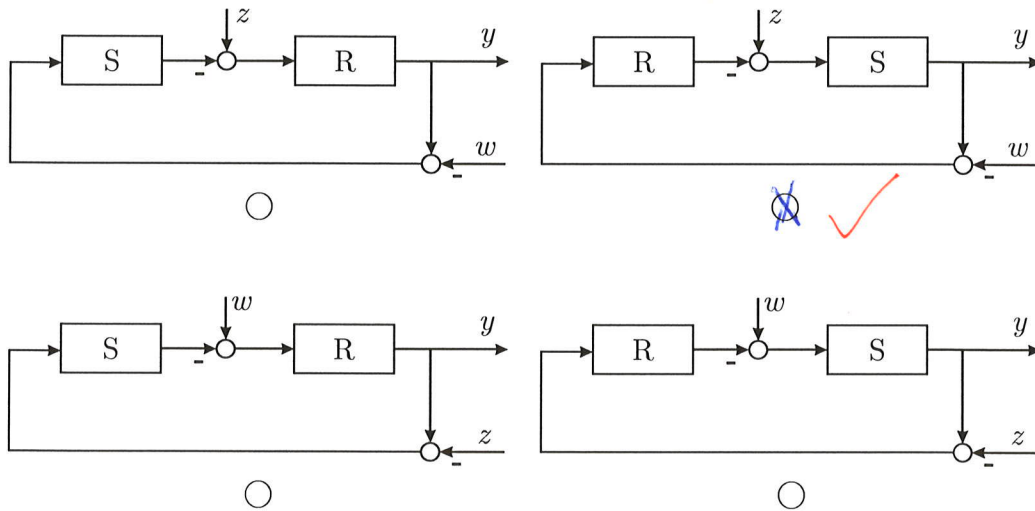
1a) (5 × 1 Point, 5 Points)

A1) (1 Point)

The system



is identical to



with respect to the I/O-behavior.

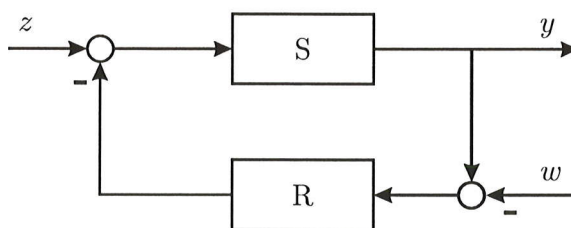
Example to show the new exam format and evaluation scheme.

Mark the correct solution in the following statements.

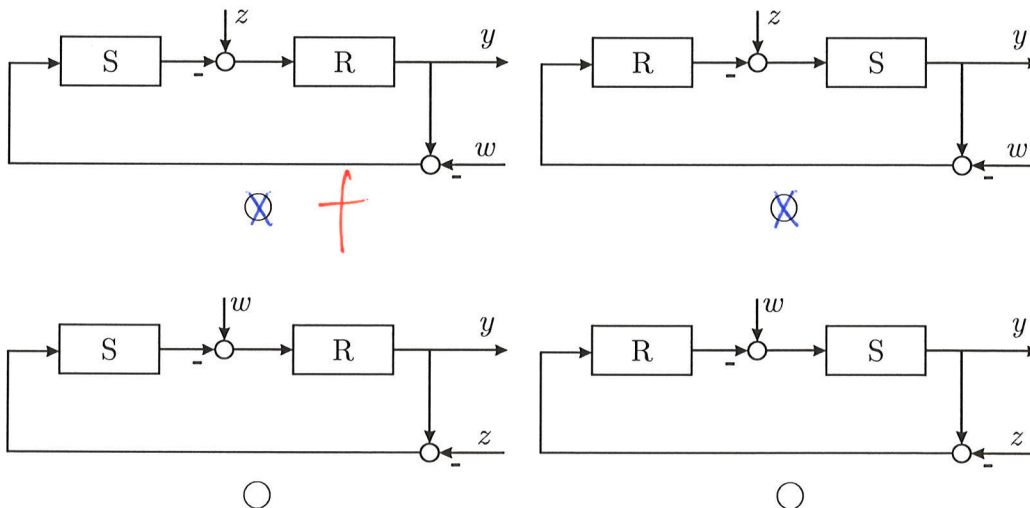
1a) (5 × 1 Point, 5 Points)

A1) (1 Point)

The system



is identical to



with respect to the I/O-behavior.

0

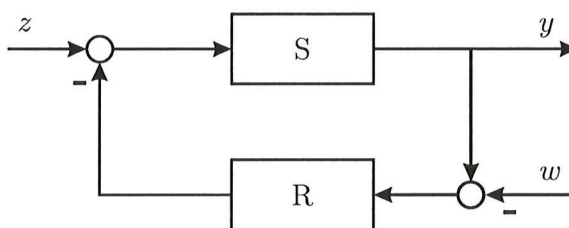
Example to show the new exam format and evaluation scheme.

Mark the correct solution in the following statements.

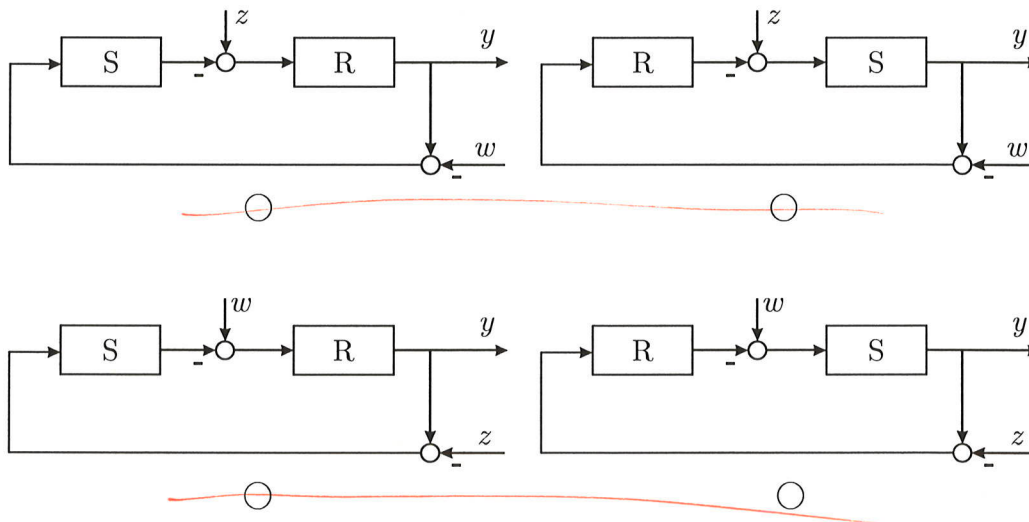
1a) (5 × 1 Point, 5 Points)

A1) (1 Point)

The system



is identical to



with respect to the I/O-behavior.

0

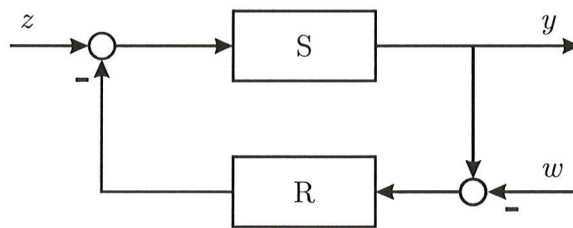
Example to show the new exam format and evaluation scheme.

Mark the correct solution in the following statements.

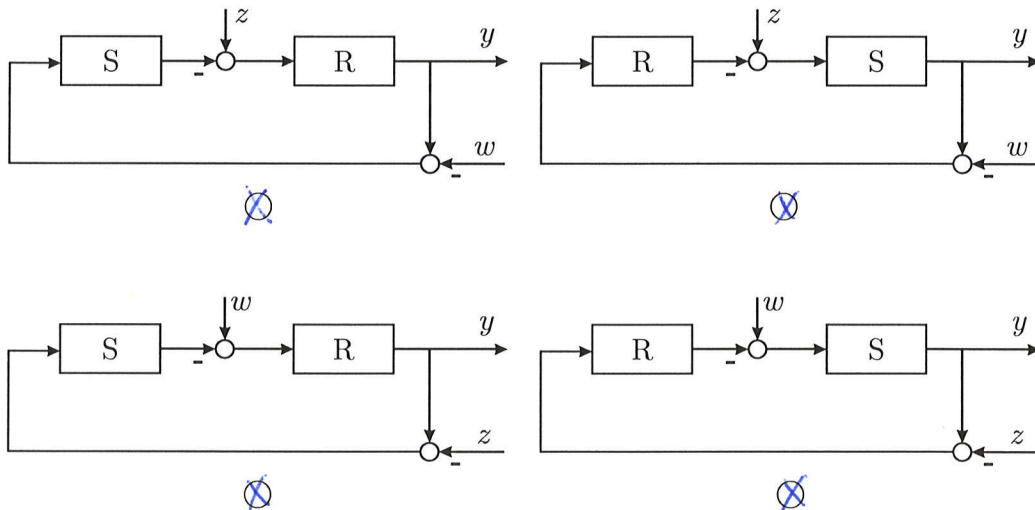
1a) (5 × 1 Point, 5 Points)

A1) (1 Point)

The system



is identical to



with respect to the I/O-behavior.

