



Duisburg-Essen University
Faculty of Engineering
Department of Electrical Engineering
and Information Technology
Institute of Microwave and RF Technology



UNIVERSITÄT
DUISBURG
ESSEN

300 MHz IQ-Demodulator for 7-Tesla MRI Smart Amplifier

Presented by: Khalid Zain Elabdin

Supervised by: Prof. Dr.-Ing. Klaus Solbach



Introduction

UNIVERSITÄT
DUISBURG
ESSEN

- Task assignment
- 7-Tesla MRI
- I/Q-demodulator
- Circuit design
- Test and results
- Conclusion



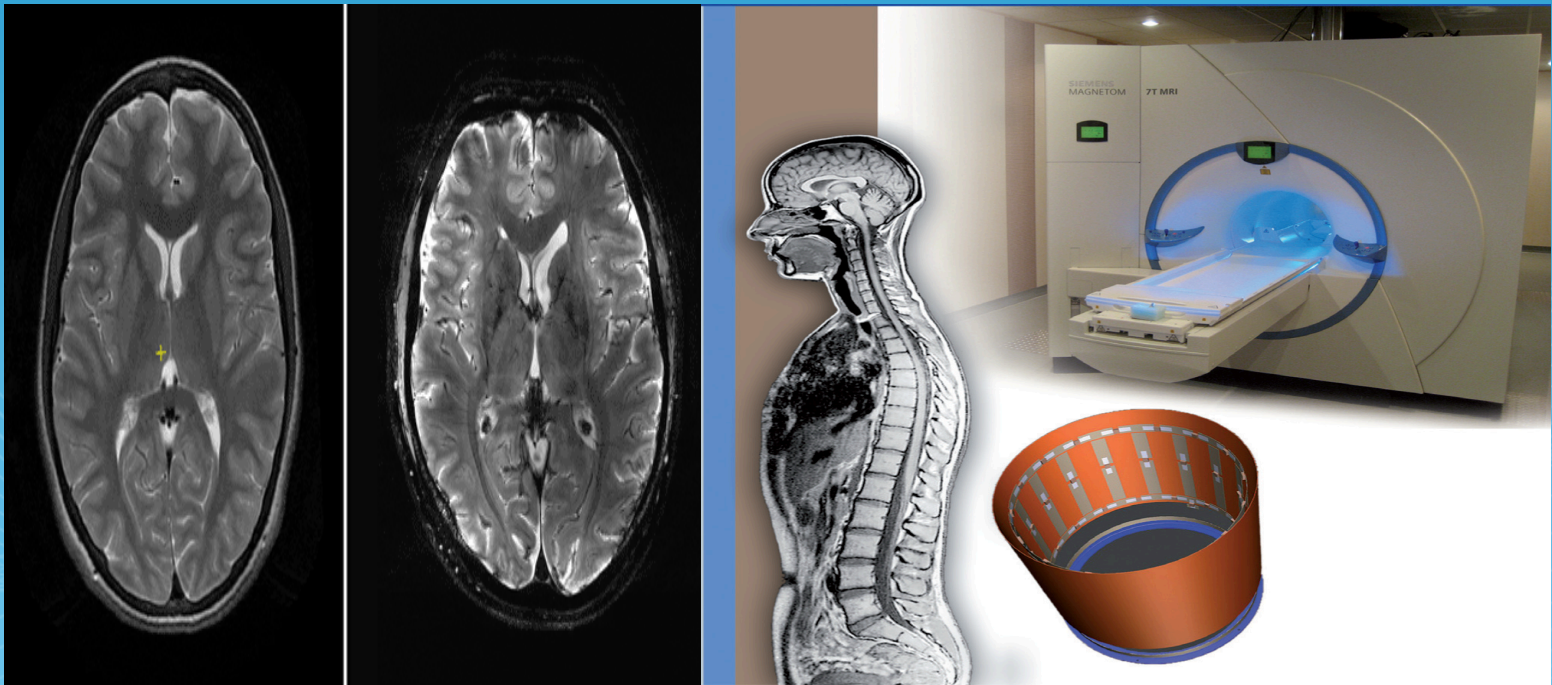
Assignment

UNIVERSITÄT
DUISBURG
ESSEN

to design a printed circuit for the I/Q-demodulator using the ICs and other surface-mount device (SMD) components and using microstrip line on a dielectric laminate as the printed circuit technology and using SubMiniature version A SMA coaxial connectors for signal input and output.



7-Tesla MRI

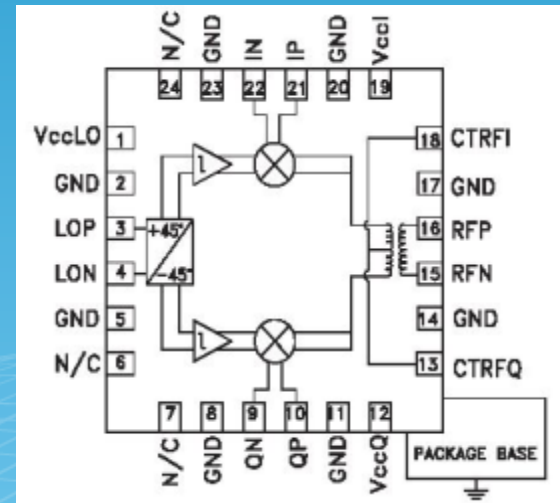




I Q Demodulator

UNIVERSITÄT
DUISBURG
ESSEN

- HMC597LP4
- HIGH LINEARITY
- Low noise figure

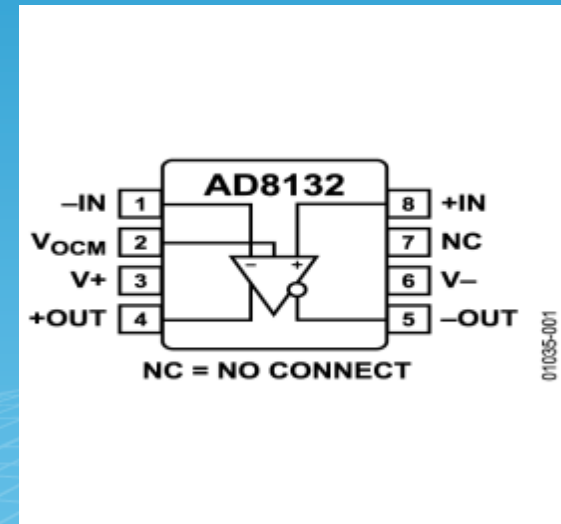




AD8132

UNIVERSITÄT
DUISBURG
ESSEN

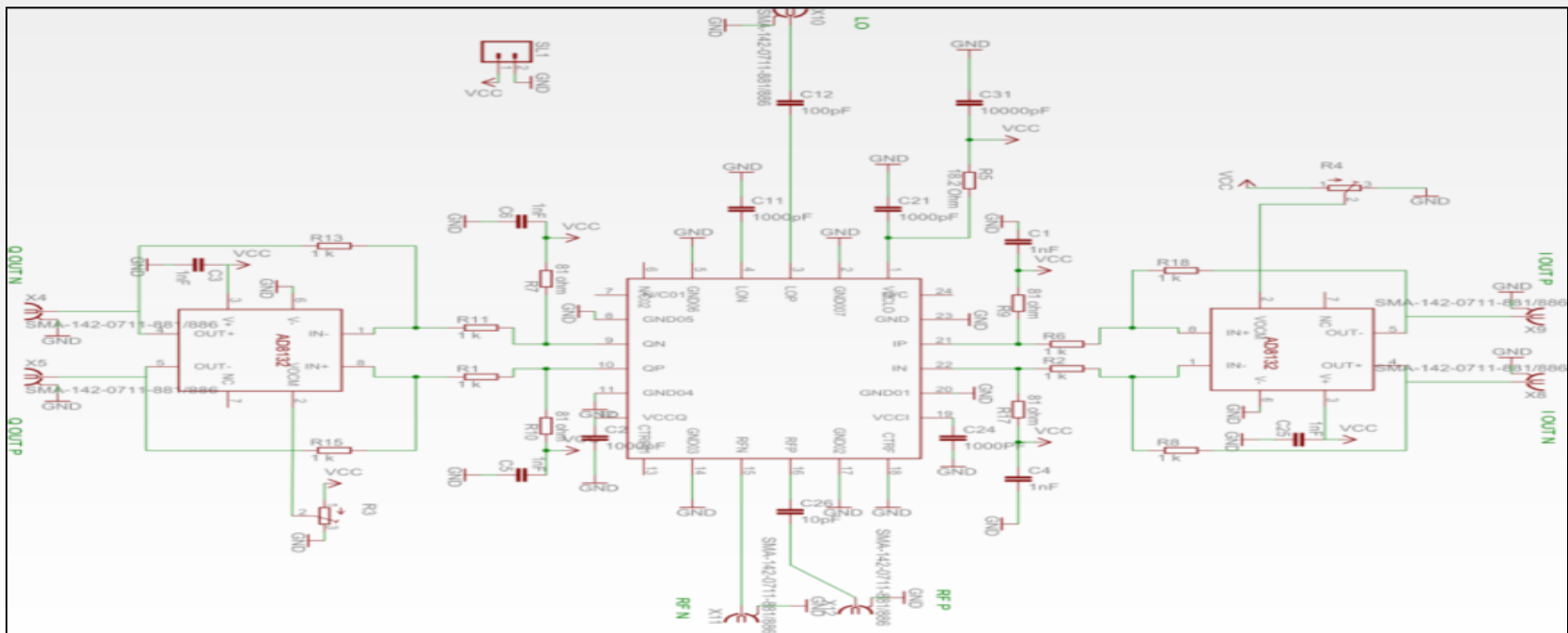
- AD8132 Differential amplifier
- Low cost – High speed
- Internal common-mode feedback





Final Schematic Design

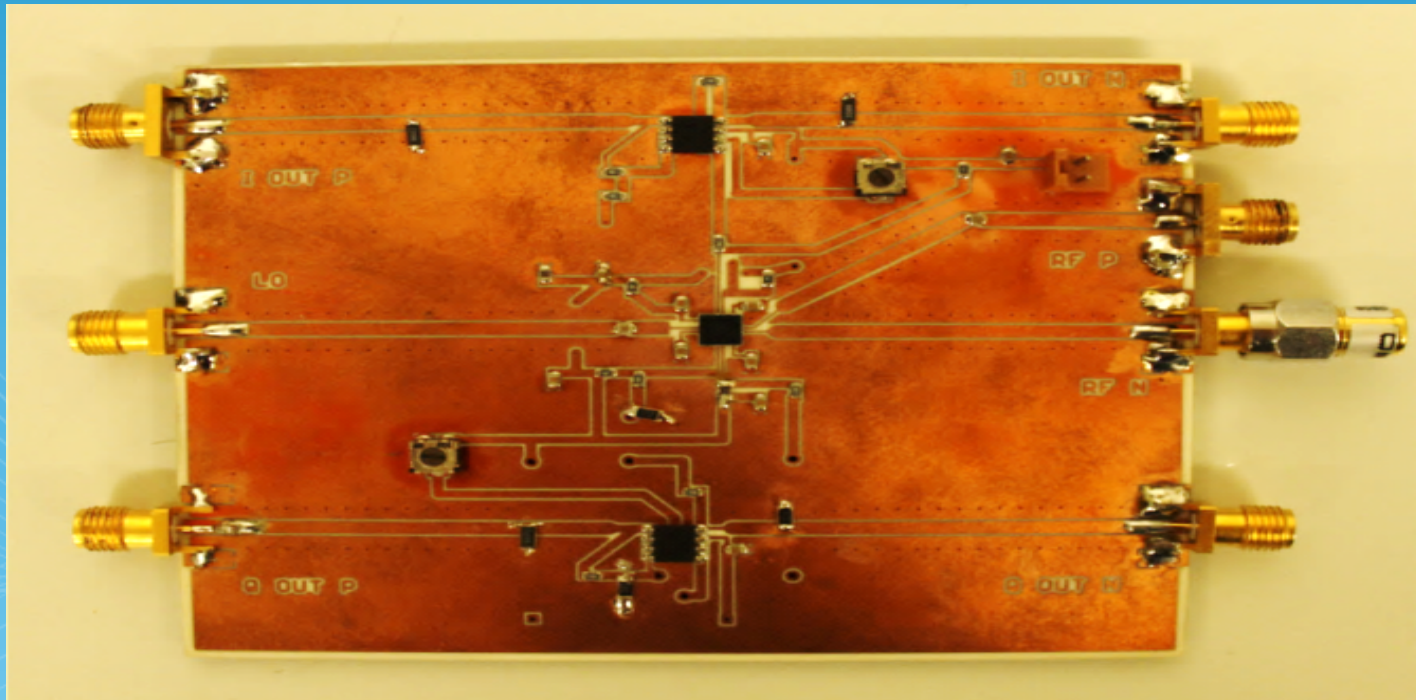
UNIVERSITÄT
DUISBURG
ESSEN





Printed Circuit Board

UNIVERSITÄT
DUISBURG
ESSEN





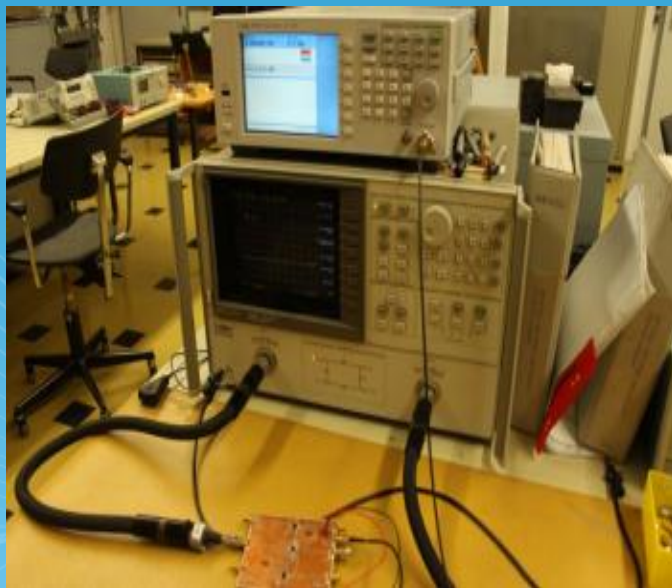
UNIVERSITÄT
DUISBURG
ESSEN

Test Measurement and Results

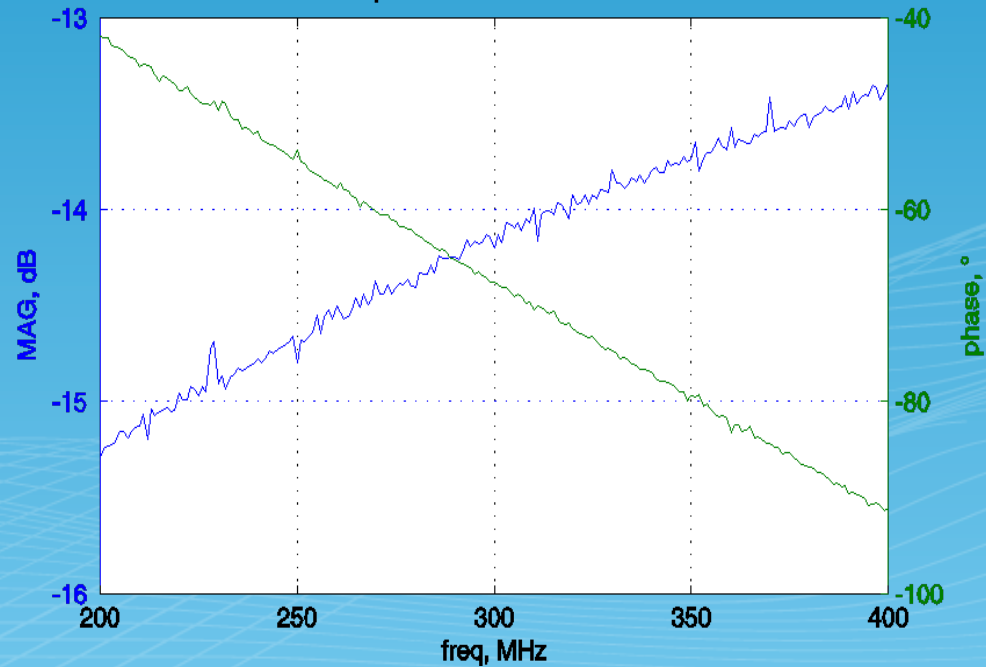


Input Matching

UNIVERSITÄT
DUISBURG
ESSEN



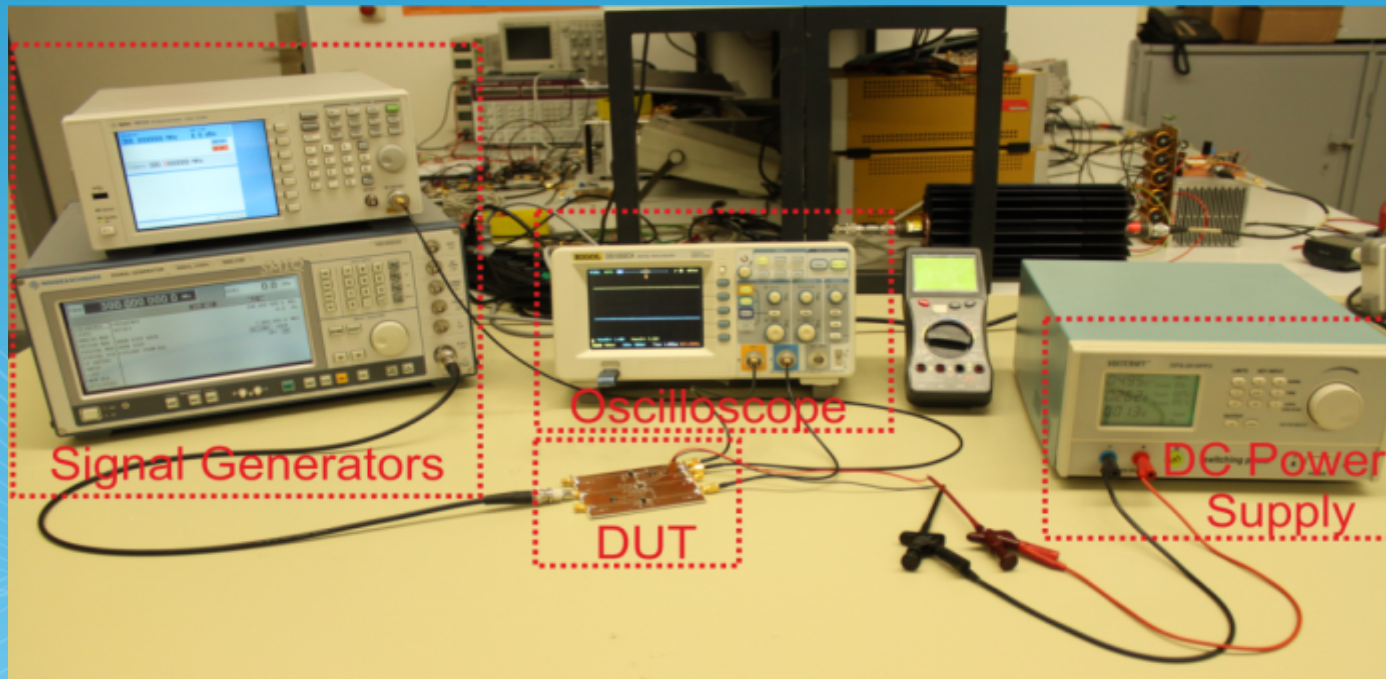
Input Match Measurement





Measurement Setup

UNIVERSITÄT
DUISBURG
ESSEN





Common Mode Rejection Ratio

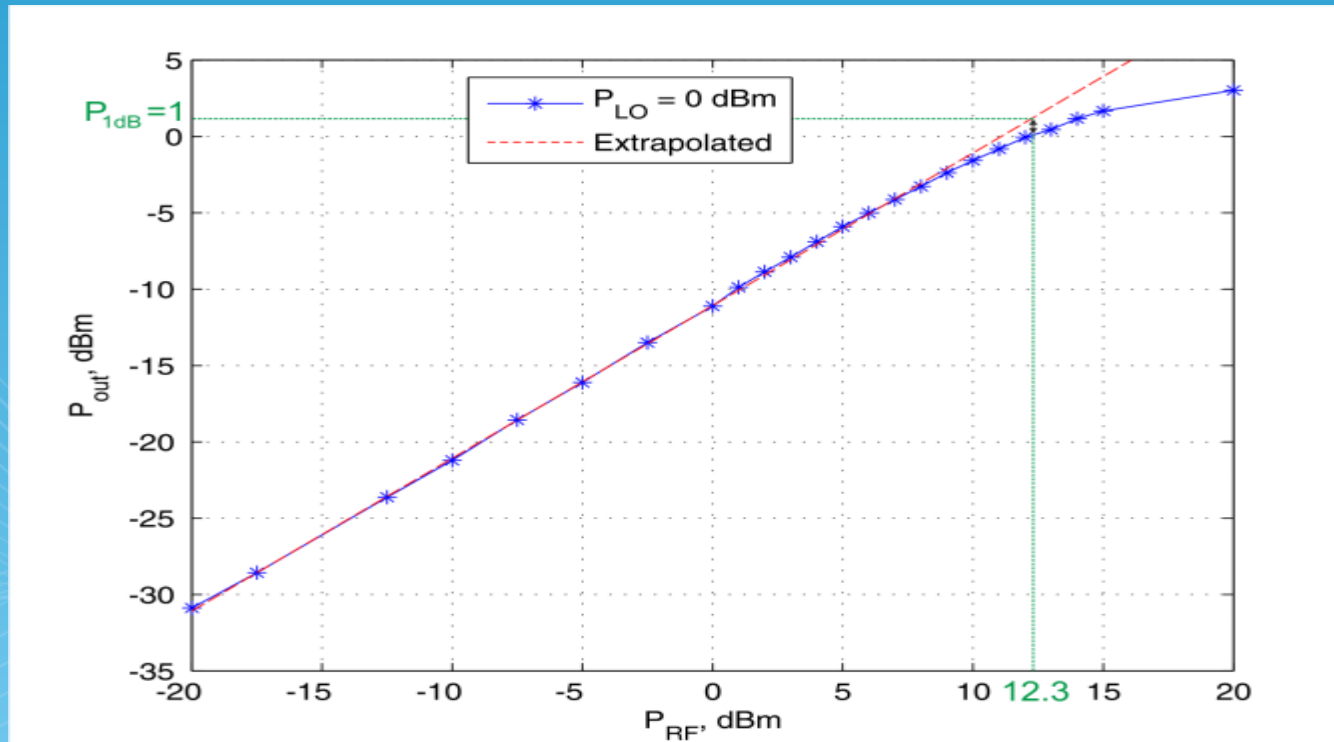
UNIVERSITÄT
DUISBURG
ESSEN





Output Power RF

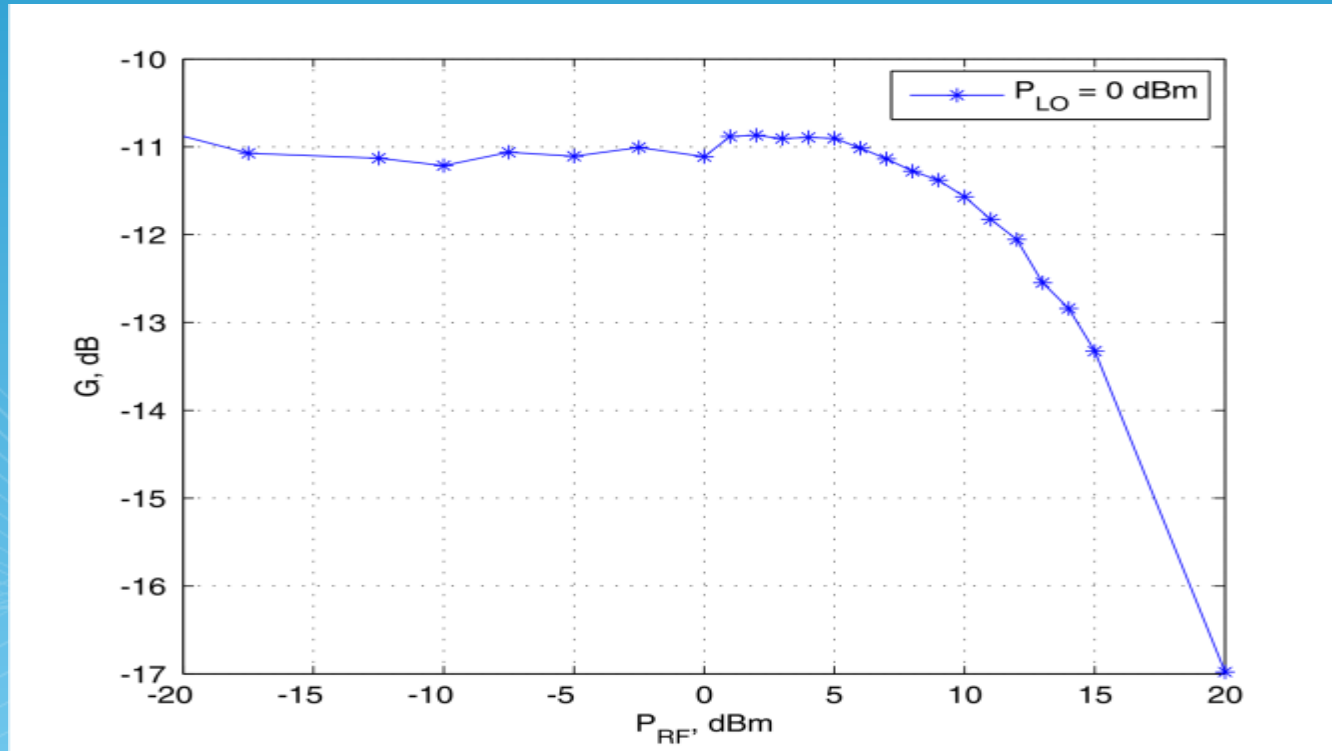
UNIVERSITÄT
DUISBURG
ESSEN





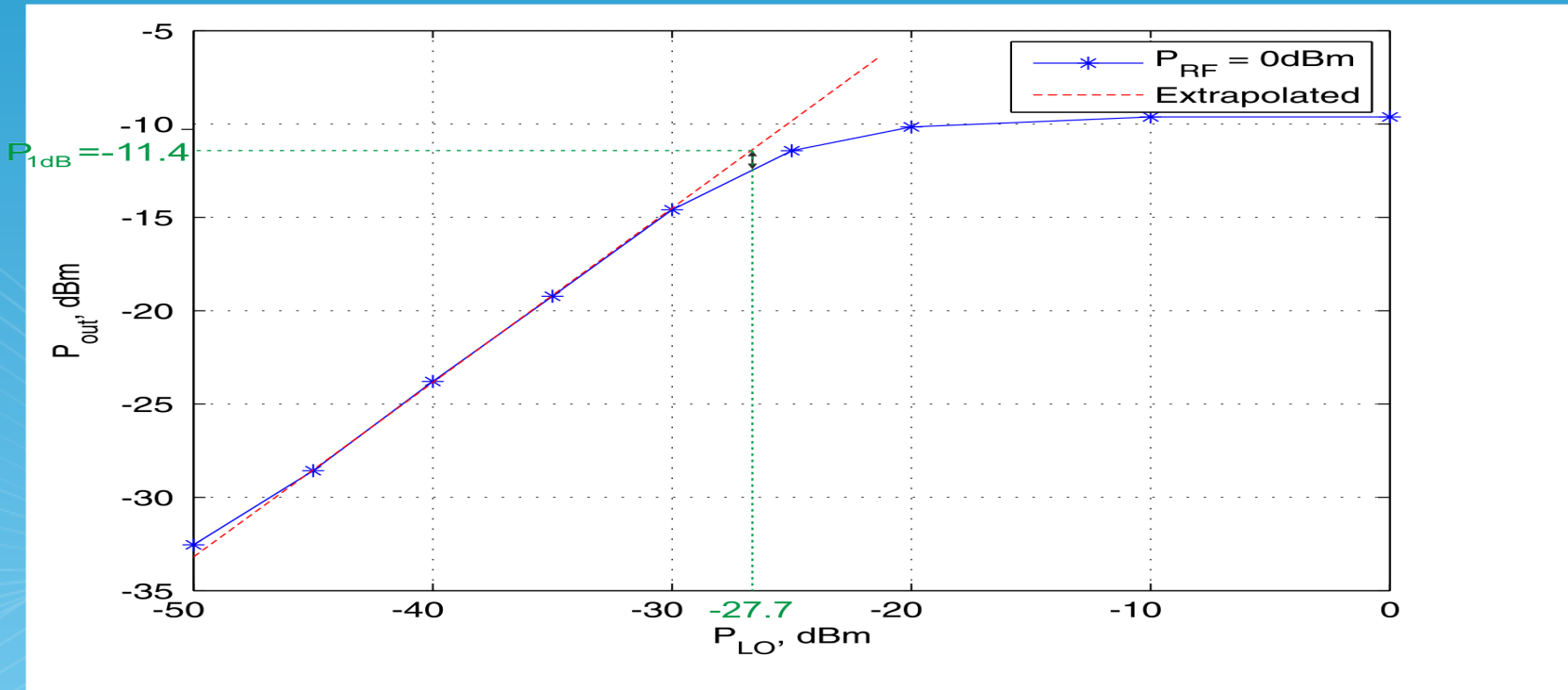
RF Gain Measurement

UNIVERSITÄT
DUISBURG
ESSEN





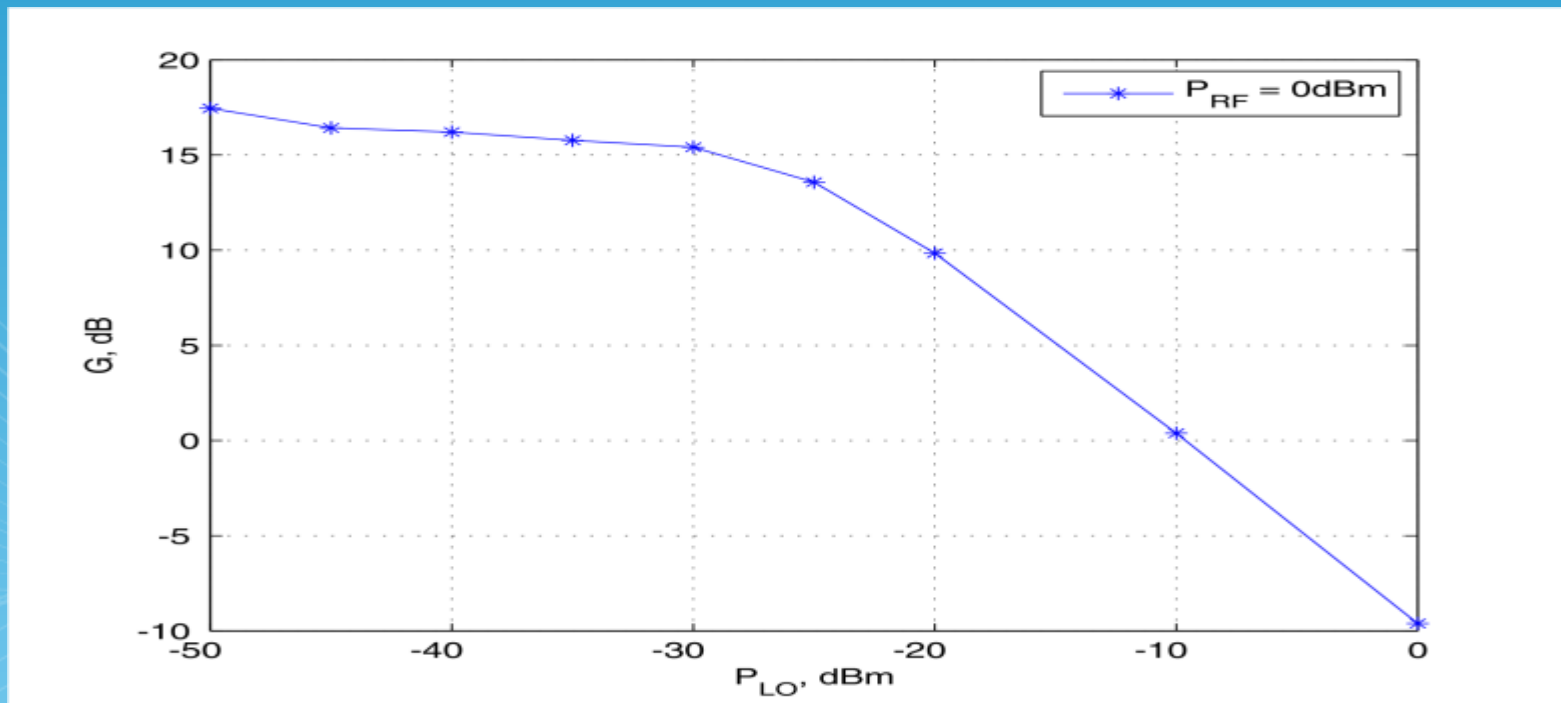
Output Power LO





LO Gain measurement

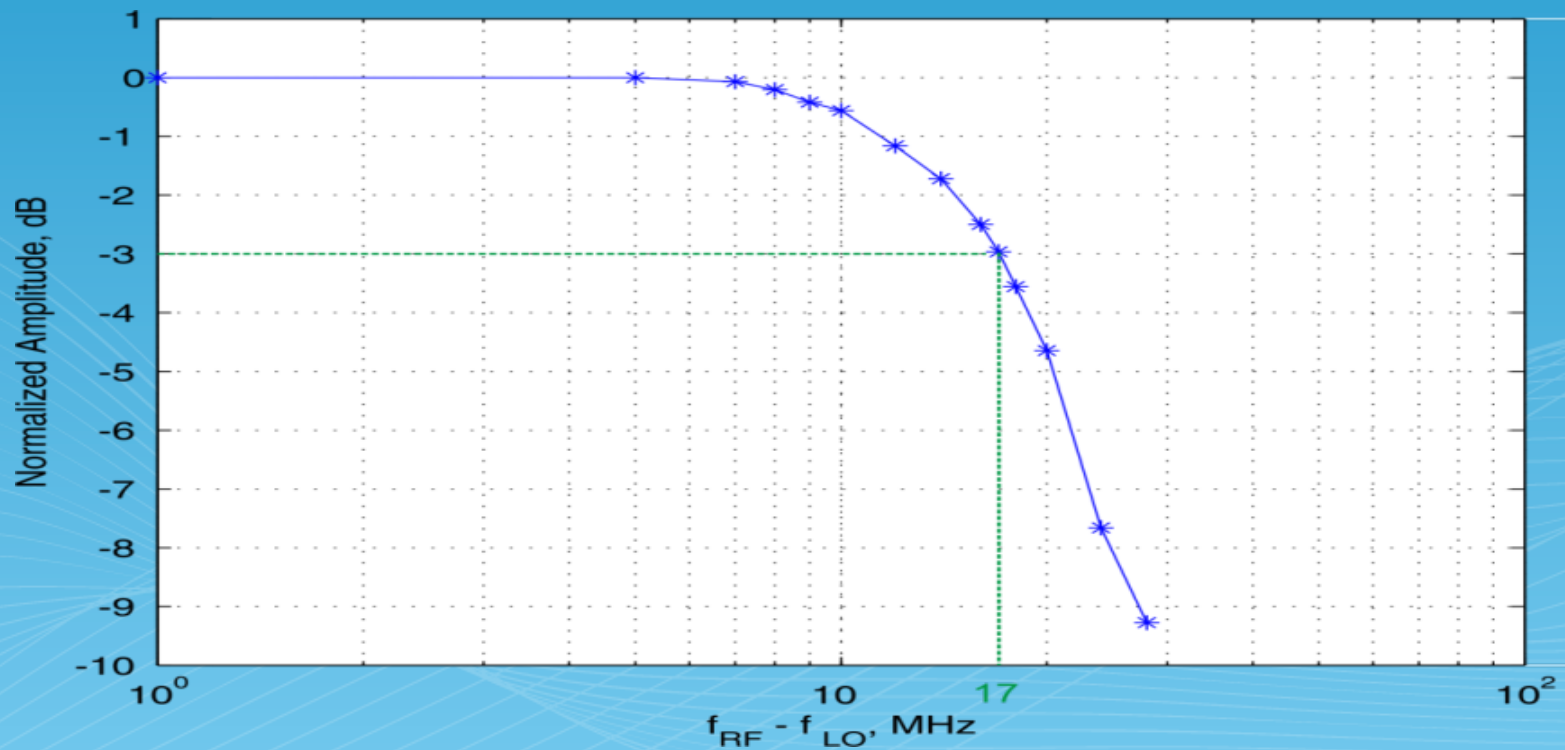
UNIVERSITÄT
DUISBURG
ESSEN





Baseband Bandwidth

UNIVERSITÄT
DUISBURG
ESSEN





Conclusion

- An I Q Demodulator was designed for the 7 tesla
- The layout was designed by eagle
- The RF gain -11.3 dBm
- The baseband bandwidth 17 MHz
- The 1 dB compression point 12.3 dBm